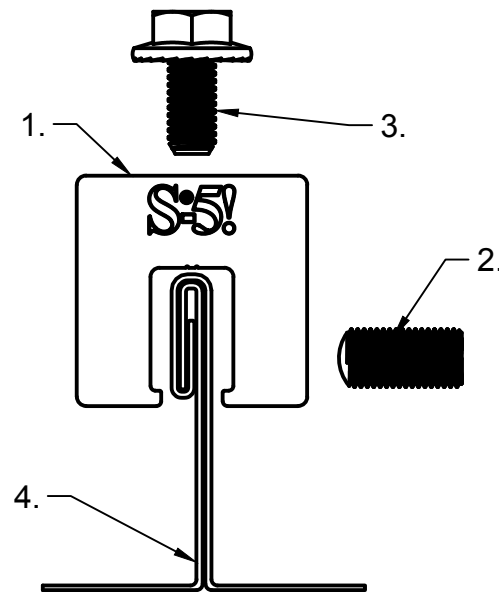
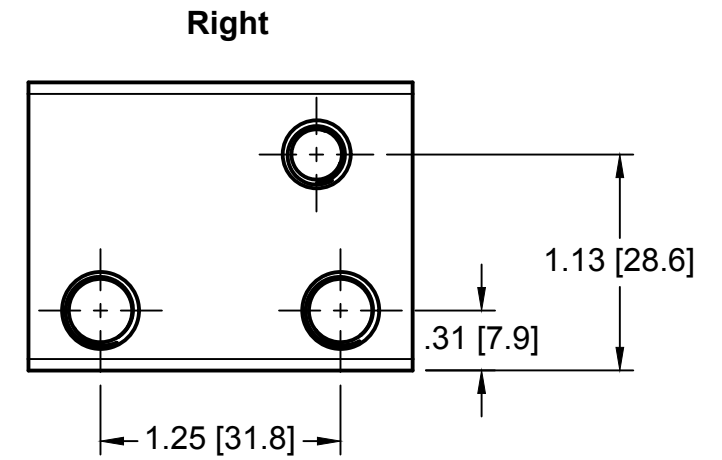
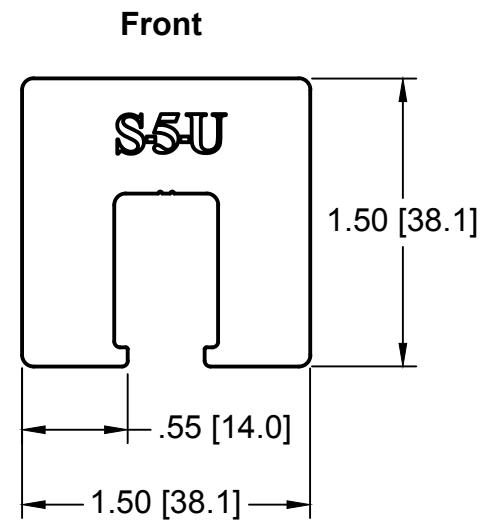
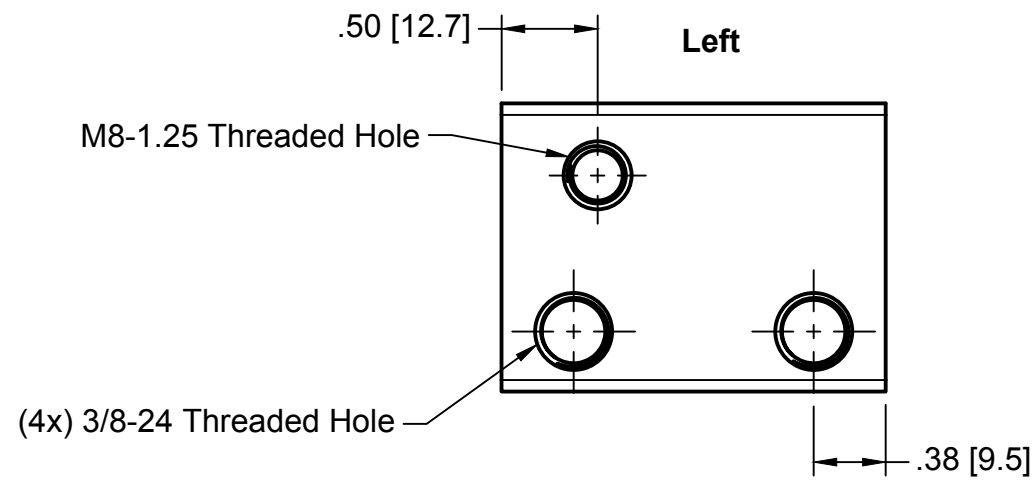
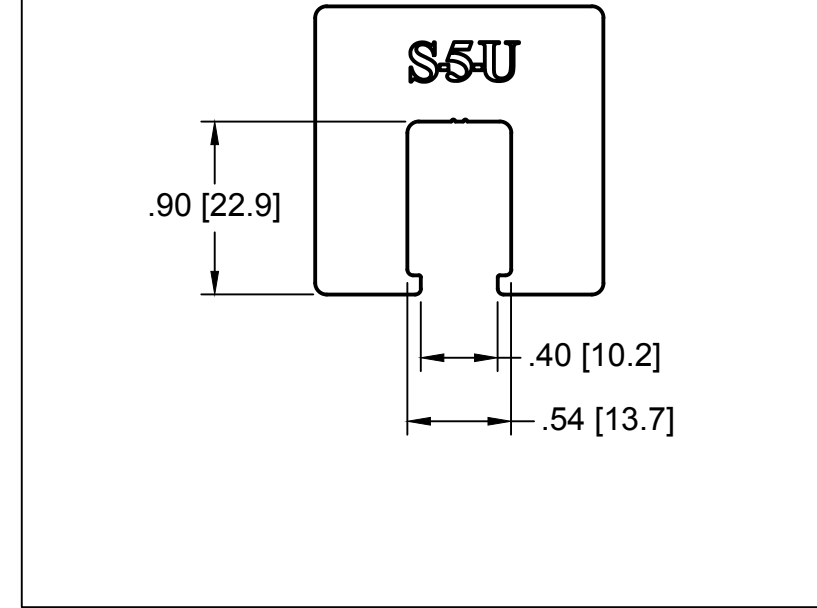
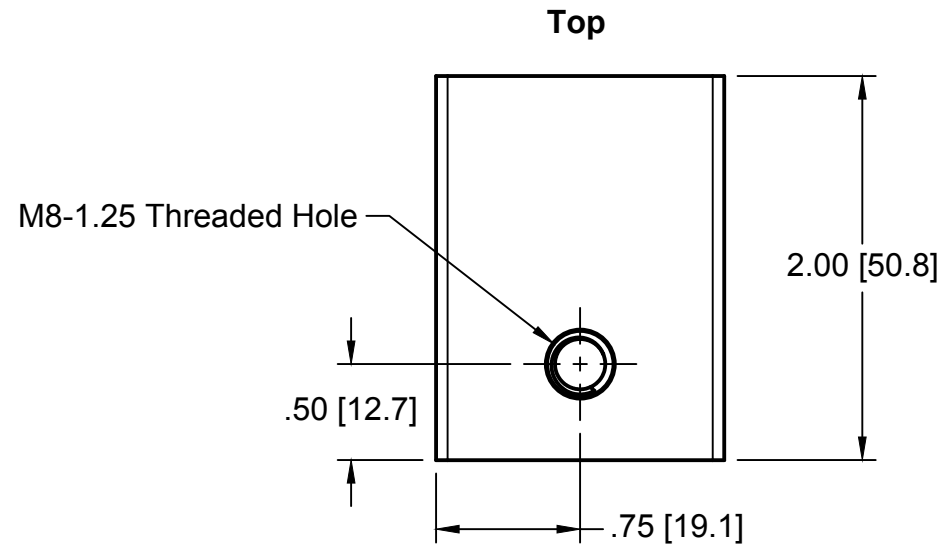
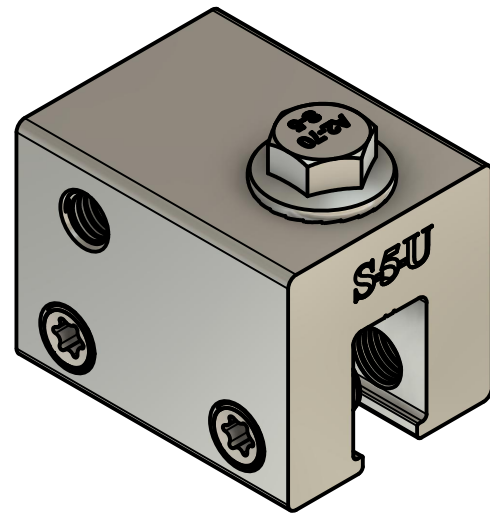


S-5-U



General Notes:

1. S-5-U
2. 0.9" 3/8-24 T30 Drive SetScrew
3. M8-1.25 16 mm Bolt
4. Example roof

MATERIAL:
6000 Series AL
EST ASSEMBLY WT:
0.390 lbs
HARDWARE:
2x 0.9" 3/8-24 T30 Drive SetScrew, M8-1.25 16 mm Bolt



METAL ROOF INNOVATIONS, LTD.
8750 WALKER RD
COLORADO SPRINGS, CO 80908
719-495-0518
719-495-0045 (FAX)

TITLE S-5-U [CCD]
DRAWING NO. U11-B-16-E DRAWN BY SNLR DATE 5/3/2022
SCALE 1:1 FILE NAME U11-B-16-E (S-5-U) [CCD]

S-5!® PRODUCTS ARE PROTECTED BY MULTIPLE U.S. AND FOREIGN PATENTS.
VISIT OUR WEBSITE AT WWW.S-5.COM FOR COMPLETE INFORMATION ON
PATENTS AND TRADEMARKS