

Special Order

PBR/R

Commercial

Panel Trims

Important Note: All Commercial Panel Trims are made from 29 gauge Steel.

Tolerance of 1/8" plus or minus on ALL TRIMS.

ALL TRIMS ARE 10'4" UNLESS OTHERWISE NOTED

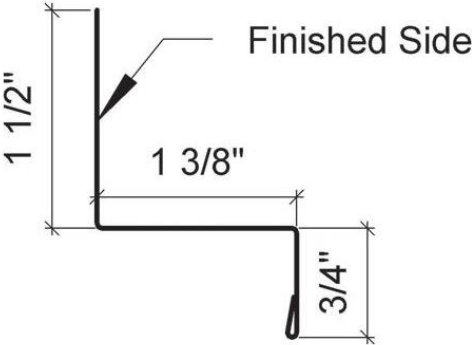
Lead time varies. Average 1-2 weeks.

PBR Commercial Panel Standard Trims

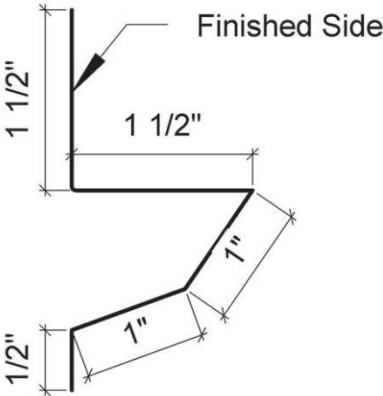
All Trims are Special Order and No-Returnable

All Trims are made 10'4" unless noted otherwise

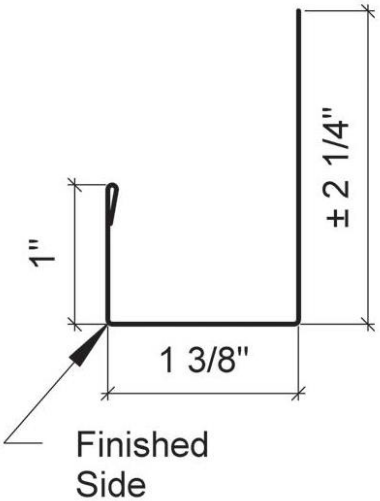
PBR Z Bar 10'4"



PBR Rat Guard 10'4"



PBR J Channel 10'4"



PBR Corner/Rake 10'4"

