

FEATURES AND BENEFITS

- Open-end blind rivet is designed to attach 2 thin pieces of metal for a low profile appearance.
- Applications include metal roofing ridge-caps, roof gutters & downspouts.
- 304 Stainless Steel, Carbon Steel, & Aluminum are available.
- Painted #43 Stainless are available to match most architectural panel colors.
- Color chart available upon request.

SIZE	CARTON	WEIGHT/M
SSD43**	1000	3.0
SD42*	1000	2.9
SD44*	1000	3.3
AD42*	1000	1.1
AD44*	1000	1.3
AD46*	1000	1.4
AD66*	1000	3.4
SSD42*	1000	2.9

* Sizes listed are non-stock items & only available unpainted Call for price & availability.

** In stock painted to match most architectural panel colors

RIVET SERIES NO.	NOM RIVET SIZE	RECOMMENDED DRILL SIZE	RIVET NO.	MATERIAL REFERENCE (**)	GRIP RANGE (T)		BODY LENGTH (L)
					MIN.	MAX.	
4	1/8"	#30 (.129)	42	S, A,	.063	.125	.275
			43	SS	.126	.187	.337
			44	S, A, SS	.188	.250	.400
			46	S	.313	.375	.525
5	5/32"	#30 (.161)	52	---	.020	.125	.300
			53	S, A	.126	.187	.362
			54	---	.188	.250	.425
			56	---	.313	.375	.550
6	3/16"	#11 (.191)	66	SS, A	.251	.375	.575

S = Steel Body, Steel Mandrel | A = Aluminum Body, Aluminum Mandrel
SS = Stainless Steel Body, Stainless Steel Mandrel

RIVET SERIES NO.	GRADE DESIGNATION	RIVET BODY MATERIAL	MANDREL MATERIAL	ULTIMATE SHEAR (LBS. MIN.)	ULTIMATE TENSILE (LBS. MIN.)	PULL-OUT IN 18 GA. MIN. (ACTUAL TESTED TENSILE STRENGTH)
4	10	ALUMINUM	ALUMINUM	120	150	189 LBS.
	30	STEEL	STEEL	260	310	437 LBS.
	51	STAINLESS STEEL	STAINLESS STEEL	420	530	643 LBS.
5	10	ALUMINUM	ALUMINUM	190	230	254 LBS.
	30	STEEL	STEEL	370	470	491 LBS.
	51	STAINLESS STEEL	STAINLESS STEEL	650	820	886 LBS.
6	10	ALUMINUM	ALUMINUM	260	320	471 LBS.
	30	STEEL	STEEL	540	680	---
	51	STAINLESS STEEL	STAINLESS STEEL	950	1200	1570 LBS.



DIMENSION OF RIVET

NOM. RIVET SIZE

4 - 1/8"
5 - 5/32"
6 - 3/16"

HEAD DIAMETER

4 - .128/.122
5 - .159/.153
6 - .191/.183

MANDREL DIAMETER

4 - .076
5 - .095
6 - .114

BLIND SIDE PROJ.

4 - L+.120
5 - L+.140
6 - L+.160

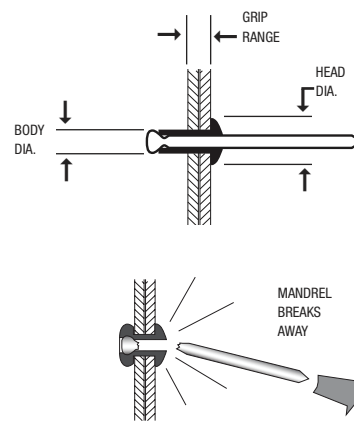
HEAD HEIGHT

4 - .040
5 - .050
6 - .060

BODY LENGTH

4 - SEE TABLE II
5 - SEE TABLE II
6 - SEE TABLE II

APPLICATIONS



Notes:

* PLAIN RIVETS AVAILABLE. PAINTED RIVETS IN THESE SIZES REQUIRE 50M PIECE MINIMUM.

**SSD43 ALL COLORS ON THIS CHART ARE IN STOCK.

1. Tensile and shear data tabulated represents minimum ultimate required values as tabulated in IFI - 114 standard for break mandrel blind rivets.

2. Only ST Fastening Systems standard rivets are shown on this document. Contact ST Fastening Systems for values for rivets of other sizes and material types.

